



BG60 Bore Gauge



Workpiece Measurement



Radio Transmission



Wear-free Measuring Mechanism



Mass Production



Diameter Measurement



Bore Gauge **BG60**

BLUM
focus on productivity



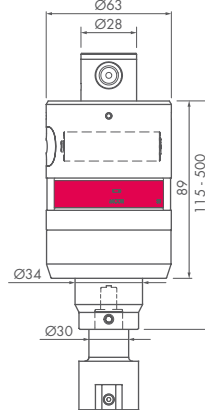
BG60 | Bore Gauge | Tactile workpiece measuring system with BRC radio transmission

Highly precise solution for in-process measurement of bore diameters in mass production

- Automatic measurement of bores (> 3 mm)
- Instant process control due to calculation of tool compensation values
- Measuring device for controlling mechatronic tools
- Machine-independent measuring system

Your benefit:

- Extremely fast measurement
- Float principle provides accurate diameter even when machine is not perfectly positioned in bore centre
- No-wear, optoelectronic measuring mechanism
- Easy pairing procedure between BG and receiver
- Use of up to 16 measuring systems with one receiver
- Elimination of costly post-process measuring station
- Increased productivity and production quality



Diameter Measurement with BG60



Measuring head available in different sizes

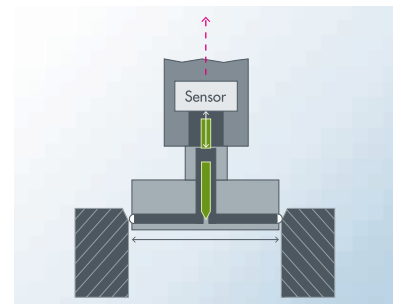
BRC Radio Technology

Sequential use of up to 16 measuring systems with one radio receiver.

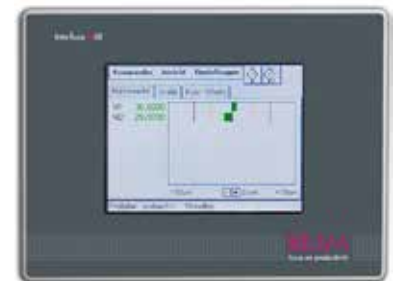


Technical data

Protection class	IP67
Resolution	12 Bit/0.15 µm
Linearity	1 % of the measuring range
Collision protection: max. overtravel	Z: 6 mm X/Y: 6°
Maximum feed	without limiting
Max. acceleration	20 m/s ²
Signal transmission	Radio
Frequency band	2.4000 ... 2.4835 GHz
Transmission power	0 dBm
Operating range	15 m
Battery (2 pieces)	Saft Lithium LS14500 (AA, 3.6 V) 2600 mAh
Mass	1.2 ... 1.5 kg (depending on type)
Tool holder	BTH 50 (HSK, SK, BT, VDI, ...)



Measuring system with float principle



Process control & logging with IF48



focus on productivity

Blum worldwide Service & Support

More than 40 subsidiaries and service offices.

www.blum-novotest.com

Blum-Novotest Ltd.

Unit 15 Granary Wharf Business Park
Wetmore Road, Burton upon Trent
Staffordshire, DE14 1DU
United Kingdom
Phone: +44 1283 569691
Fax: +44 1283 563687
info@blum-novotest.co.uk

Blum-Novotest, Inc.

4144 Olympic Boulevard
Erlanger, KY 41018
USA

Phone: +1 (859) 344 6789
Fax: +1 (859) 344 6799
solutions@blum-novotest.us